

### Features

- Tall height is ideal for vessel-style sinks
- Single Lever handle allows for on/off activation, volume, and temperature control
- 6.22 inch (158 mm) spout reach
- 8.31 inch (211 mm) spout height
- 14.0 lpm (3.69 gpm) maximum flow rate at 3.0 bar (43.5 psi)
- Aerated flow
- KOHLER ceramic disc valves exceed industry longevity standards by over two times, ensuring durable performance for life

### Material

- Premium metal construction for durability and reliability
- KOHLER finishes resist corrosion and tarnishing

### Installation

- Deck-mount
- For single-hole installation
- G 1/2 (13 mm) inlet connection
- Flexible supply lines simplify installation



### Codes/Standards

None Applicable

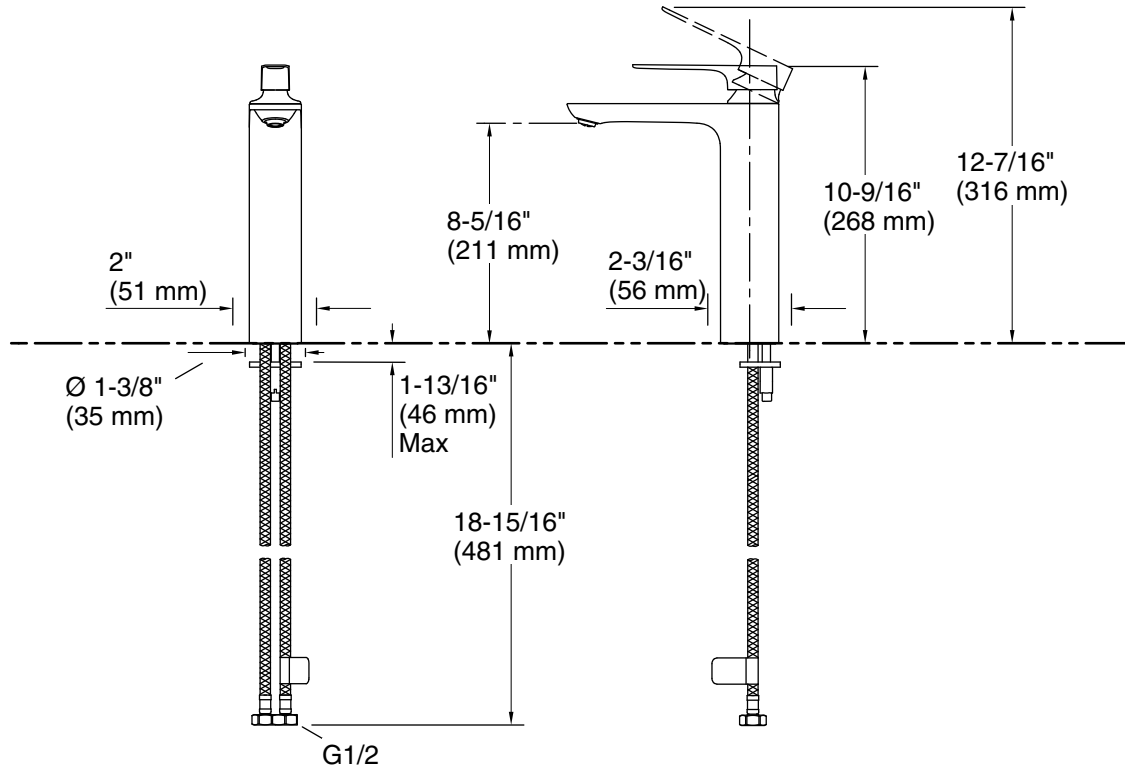
### KOHLER® India Faucet Limited Warranty

See website for detailed warranty information.

### Available Colors/Finishes

*Color tiles intended for reference only.*

Color	Code	Description
	CP	Polished Chrome
	AF	Vibrant® French Gold
	BN	Vibrant® Brushed Nickel
	BV	Vibrant® Brushed Bronze
	BL	Matte Black
	RGD	Vibrant Rose Gold
	BRD	Vibrant Brushed Rose Gold



**Technical Information**

All product dimensions are nominal.

**Notes**

Install this product according to the installation instructions.