

Features

- Sleek, minimalist design
- Single Lever handle allows for on/off activation, volume, and temperature control
- 3.33 inch (85 mm) spout height
- 4 inch (102 mm) spout reach
- Laminar flow
- 14.0 lpm (3.69 gpm) maximum flow rate at 3.0 bar (43.5 psi)
- Drain sold separately

Material

- Premium metal construction for durability and reliability

Installation

- For single-hole installation
- Preattached flexible supply lines simplify installation



Codes/Standards

None Applicable

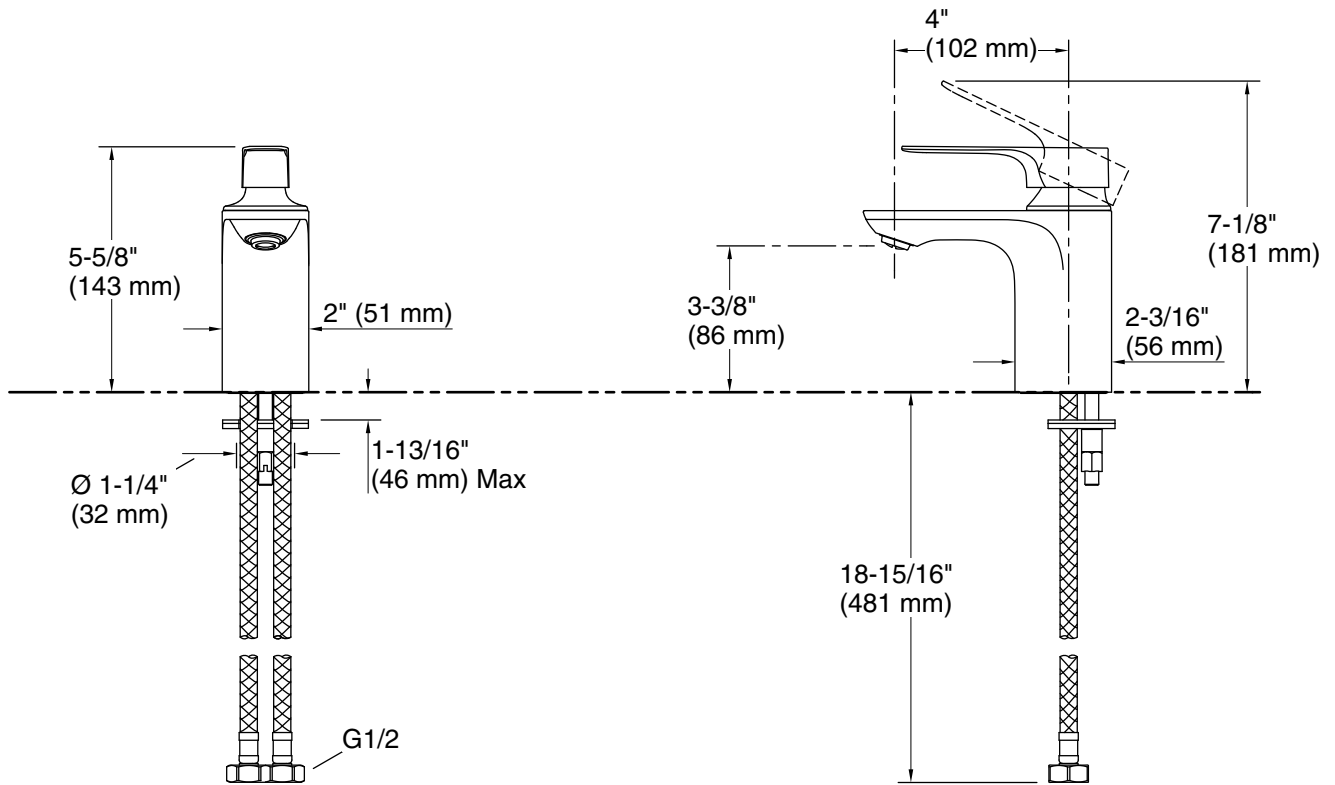
KOHLER® India Faucet Limited Warranty

See website for detailed warranty information.

Available Colors/Finishes

Color tiles intended for reference only.

Color	Code	Description
	CP	Polished Chrome
	AF	Vibrant® French Gold
	BN	Vibrant® Brushed Nickel
	BV	Vibrant® Brushed Bronze
	BL	Matte Black
	RGD	Vibrant Rose Gold
	BRD	Vibrant Brushed Rose Gold



Technical Information

All product dimensions are nominal.

Notes

Install this product according to the installation instructions.