

Features

- Sleek contemporary design
- Single Lever handle allows for on/off activation, volume, and temperature control
- 160 mm (6.3 inch) spout reach
- Aerated flow
- 9.0 lpm (2.38 gpm) maximum flow rate at 3.0 bar (43.5 psi)
- Drain sold separately

Material

- Premium material construction for durability and reliability
- KOHLER finishes resist corrosion and tarnishing

Installation

- Wall-mount
- Trim only; requires valve to complete installation (sold separately)
- G 1/2 inlet connection

Required Products/Accessories

K-5679IN Single-handle wall-mount bathroom sink faucet valve



Codes/Standards

None Applicable

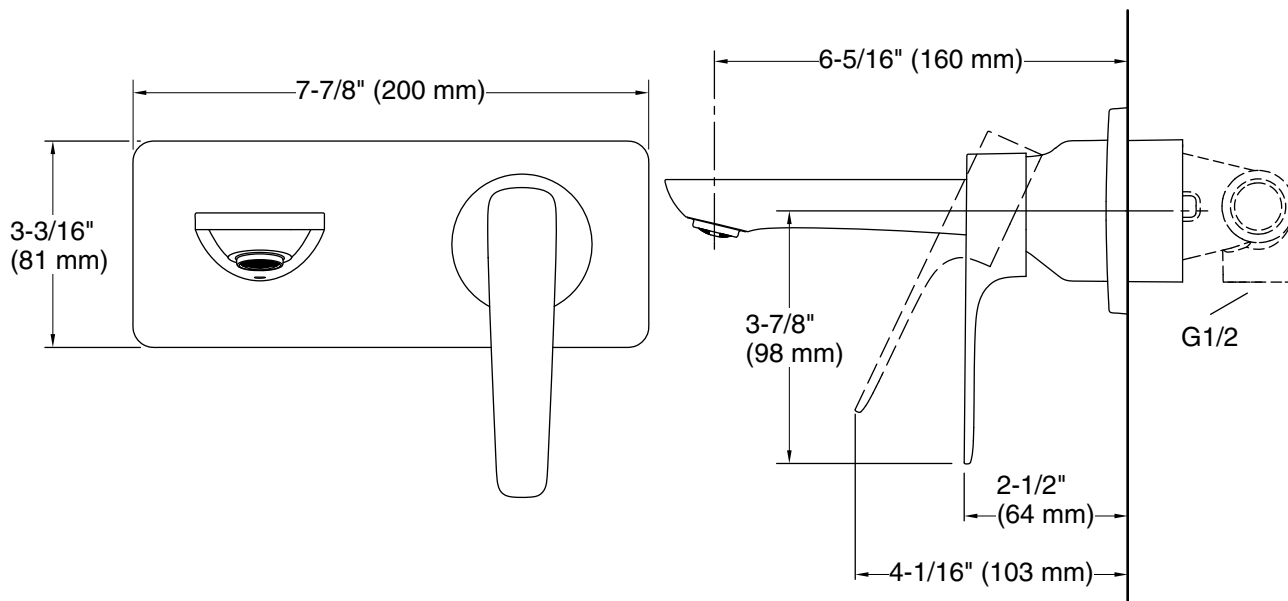
KOHLER® India Faucet Limited Warranty

See website for detailed warranty information.

Available Colors/Finishes

Color tiles intended for reference only.

Color	Code	Description
	CP	Polished Chrome
	AF	Vibrant® French Gold
	BN	Vibrant® Brushed Nickel
	BL	Matte Black



Technical Information

All product dimensions are nominal.

Notes

Install this product according to the installation instructions.