

### Features

- 3-11/16" (93 mm) diverter bath spout with G 1/2 connection
- Aerated flow
- 4.0 gpm (15.1 lpm) at 45 psi (3.1 bar)
- 1-13/32" (36 mm) max hole diameter

### Material

- Brass construction ensures durability and reliability
- KOHLER finishes resist corrosion and tarnishing

### Installation

- Wall-mount



### Codes/Standards

ASME A112.18.1/CSA B125.1

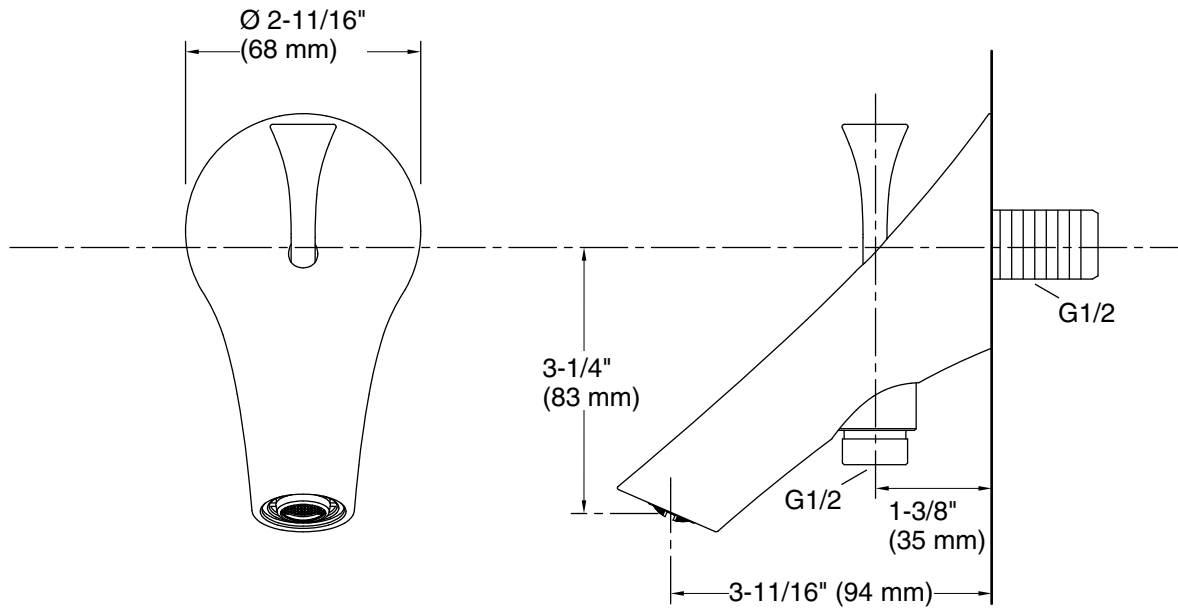
### KOHLER® India Faucet Limited Warranty

See website for detailed warranty information.

### Available Colors/Finishes

*Color tiles intended for reference only.*

Color	Code	Description
	CP	Polished Chrome
	AF	Vibrant® French Gold
	BL	Matte Black
	RGD	Vibrant Rose Gold



## Technical Information

All product dimensions are nominal.

Faucet flow rate: 4 gal/min (15.1 l/min)

## Spout:

Spout reach: 3-11/16" (93 mm)

## Notes

Install this product according to the installation instructions.