

Features

- Versatile, contemporary design
- Arched spout and spout rotation offer superior clearance for filling pots
- 180° spout rotation
- Two Lever handles offer separate control of hot and cold water
- 3.5 gpm (13.2 lpm) flow rate at 60 psi (4.14 bar)
- Coordinates with other products in the July collection

Material

- Premium metal construction for durability and reliability
- KOHLER finishes resist corrosion and tarnishing

Installation

- Wall-mount



Codes/Standards

None Applicable

KOHLER® India Faucet Limited Warranty

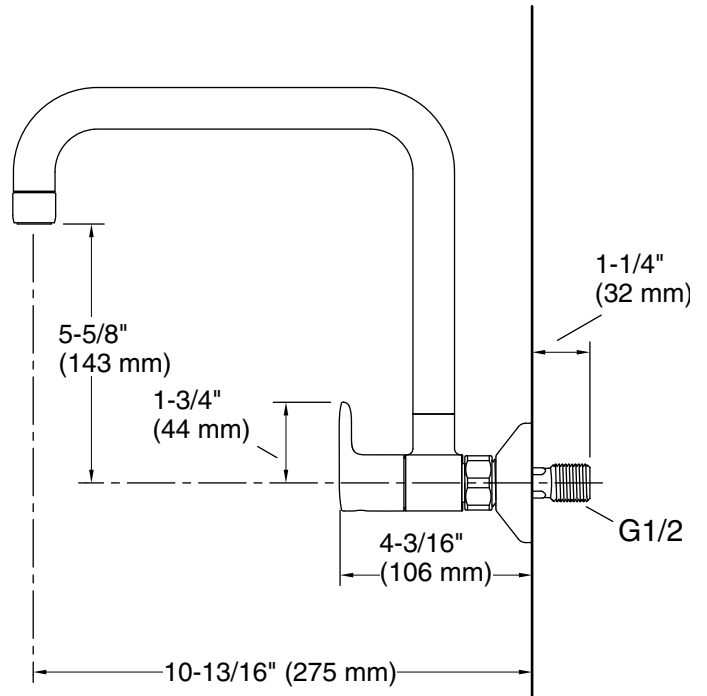
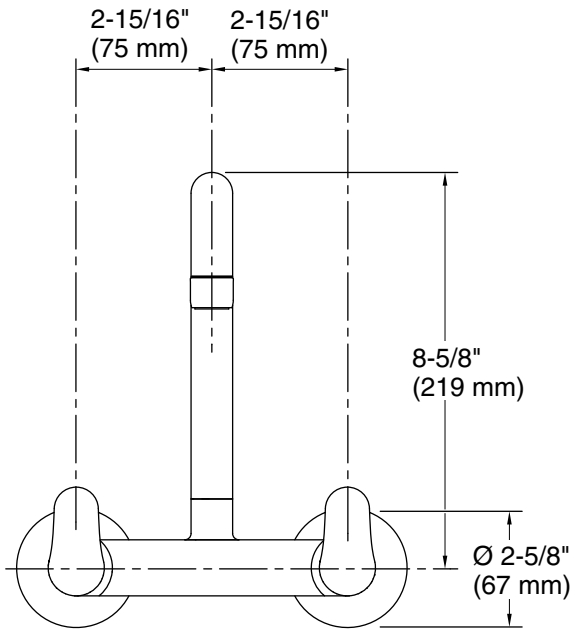
See website for detailed warranty information.

Available Colors/Finishes

Color tiles intended for reference only.

Color	Code	Description
-------	------	-------------

	CP	Polished Chrome
---	----	-----------------



Technical Information

All product dimensions are nominal.

Notes

Install this product according to the installation instructions.