

Features

- Versatile, contemporary design
- For use with cold water line only
- Arched spout and spout rotation offer superior clearance for filling pots
- Single Lever handle provides on/off activation and volume control
- 4.22 gpm (16.0 lpm) maximum flow rate at 43.5 psi (3.0 bar)
- Coordinates with other products in the July collection

Material

- Premium metal construction for durability and reliability
- KOHLER finishes resist corrosion and tarnishing

Installation

- Wall-mount



Codes/Standards

None Applicable

KOHLER® India Faucet Limited Warranty

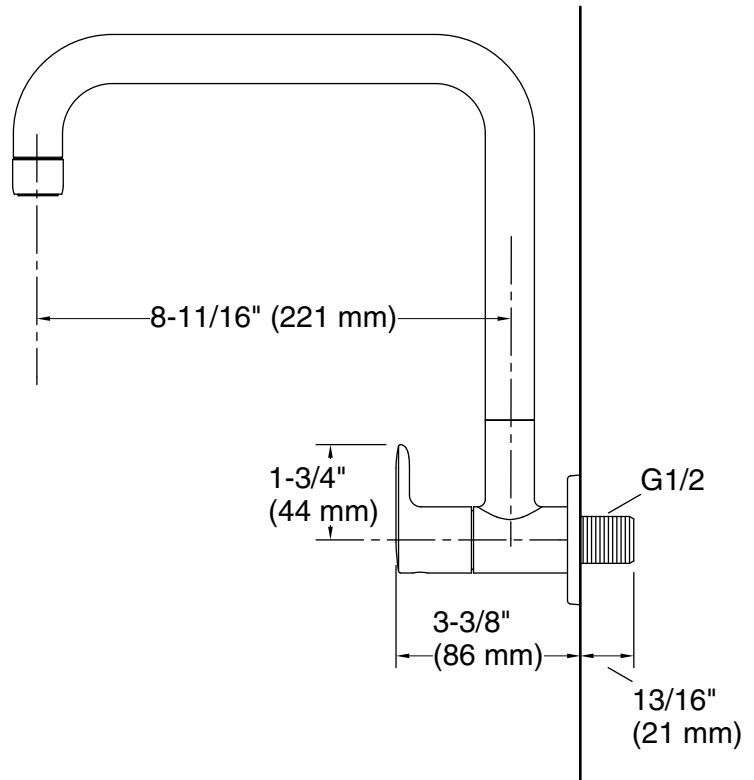
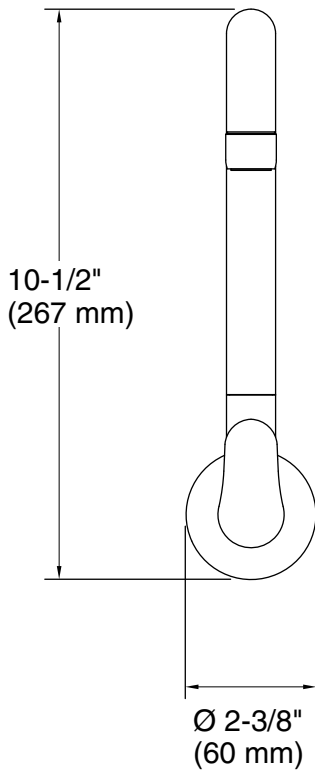
See website for detailed warranty information.

Available Colors/Finishes

Color tiles intended for reference only.

Color	Code	Description
-------	------	-------------

	CP	Polished Chrome
---	----	-----------------



Technical Information

All product dimensions are nominal.

Faucet flow rate: 5 gal/min (18.9 l/min)

Notes

Install this product according to the installation instructions.