

## Features

- 59 inch (1500 mm) handshower hose
- Anti-twist design makes showering easier
- For use with a handshower (sold separately)
- G 1/2 female inlets with brass connections

## Material

- Premium material construction for durability and reliability
- KOHLER finishes resist corrosion and tarnishing



## Codes/Standards






None Applicable

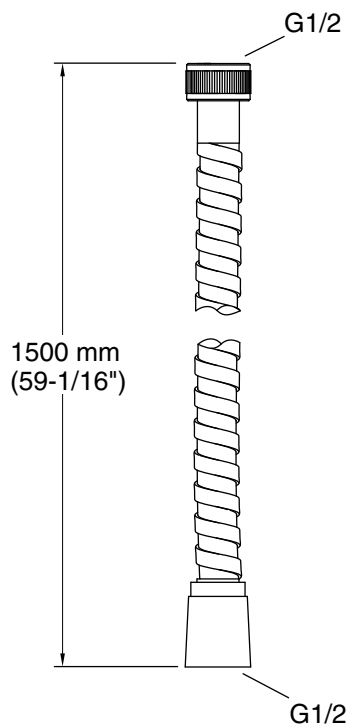
## KOHLER® India Faucet, Sanitaryware and Bathing Products Limited Warranty

See website for detailed warranty information.

## Available Colors/Finishes

*Color tiles intended for reference only.*

Color	Code	Description
	CP	Polished Chrome
	AF	Vibrant® French Gold
	BV	Vibrant® Brushed Bronze
	BRD	Vibrant Brushed Rose Gold
	RGD	Vibrant Rose Gold



**Technical Information**

All product dimensions are nominal.

**Notes**

Install this product according to the installation instructions.